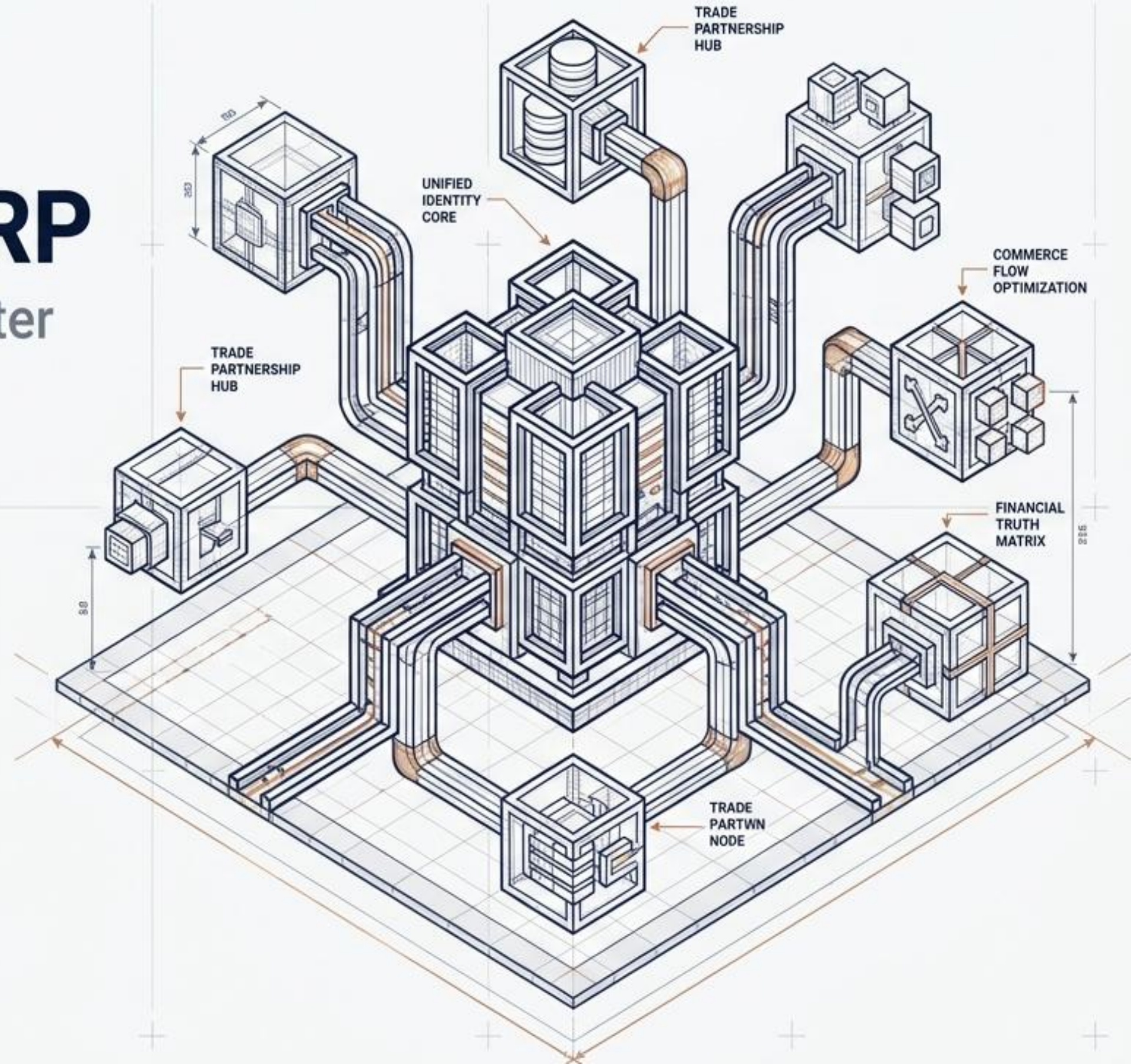


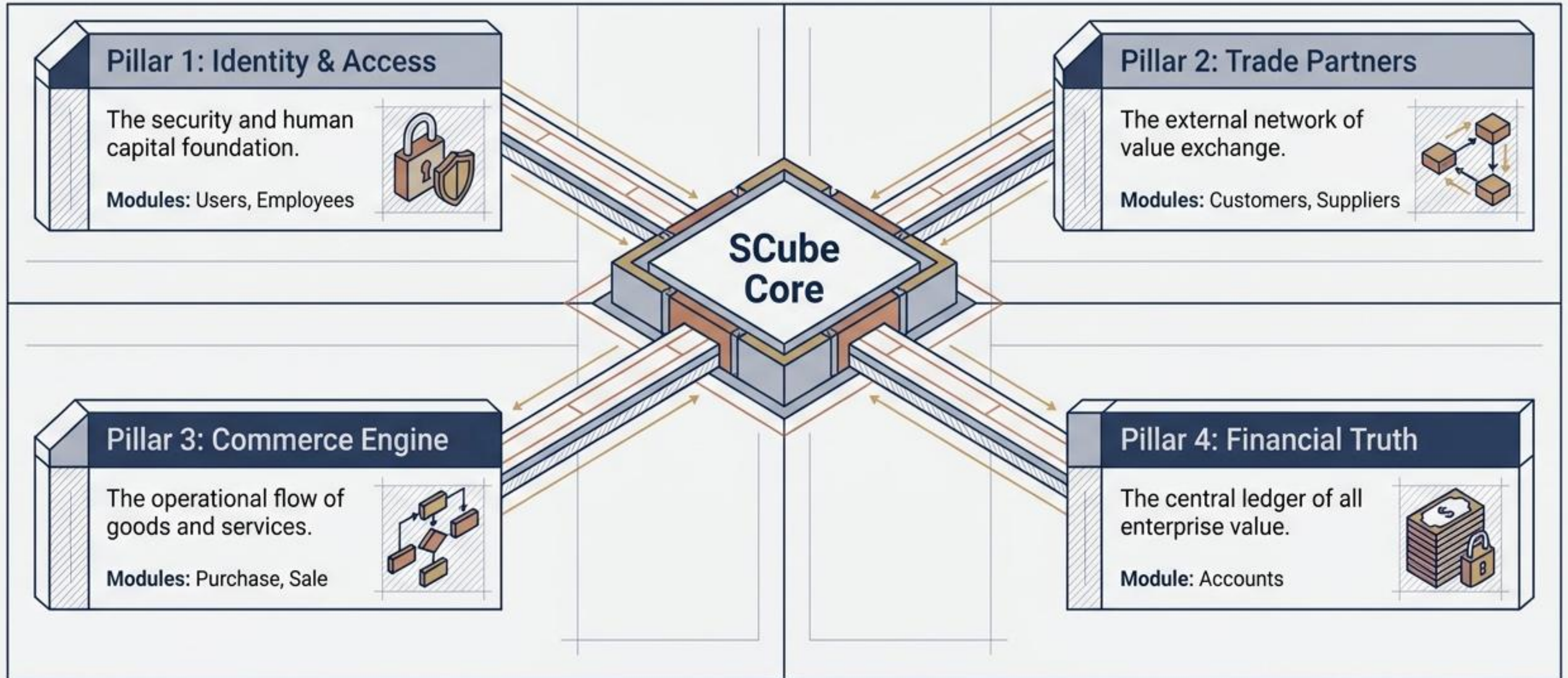
SCube Custom ERP

The Operational Command Center

A modular architectural blueprint designed to unify internal identities, trade partnerships, commerce flows, and financial truth into a single, high-performance ecosystem.



Structuring the Enterprise Digital Ecosystem



Pillar 1: Identity, Access, and Human Capital



User Governance

Base 5 Users Included

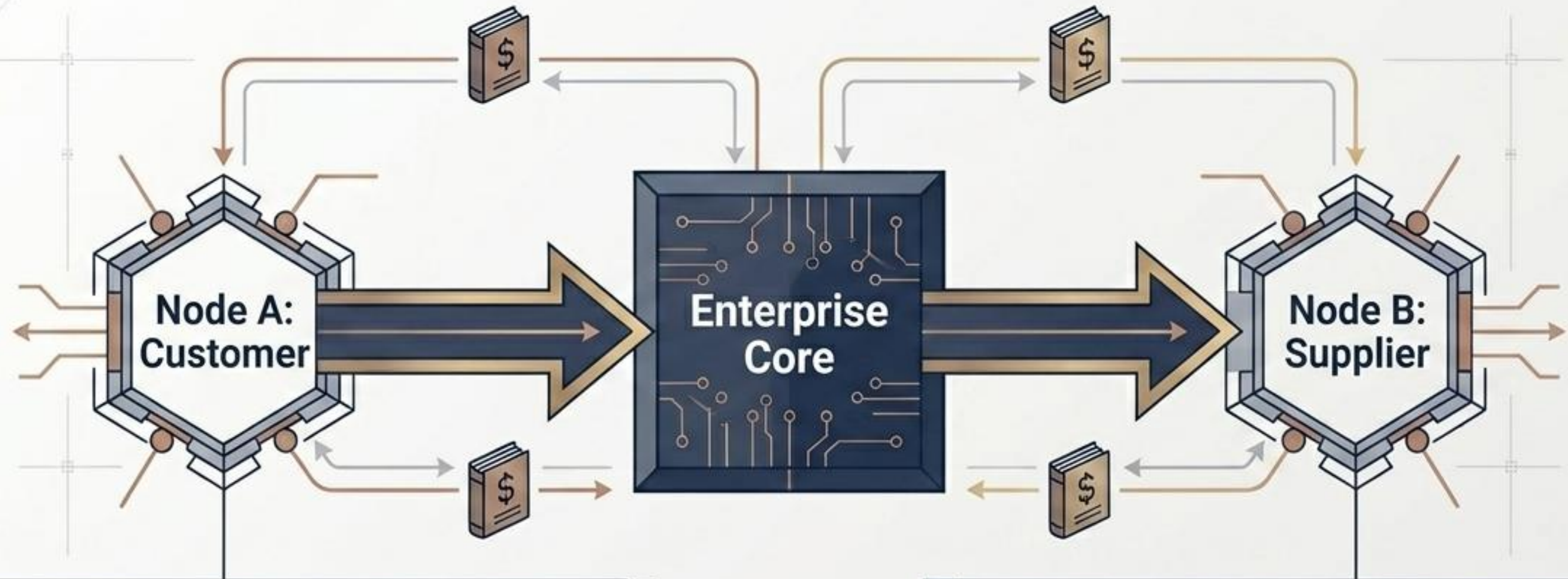
- Absolute control over system access and data visibility.
- Manage User Lifecycles (Add, Edit, Delete).
- Secure User Login Details & Password Reset protocols.
- Granular User Rights mapping.



Employee Management

- **Core Records:** Manage Employee database (Add, Edit, Delete).
- **Financial Linking:** Create dedicated Employee Accounts for seamless accounting integration.
- **Operational Tracking:** Employee attendance monitoring.
- **Payroll Execution:** Automated salaries processing and pay slip generation.

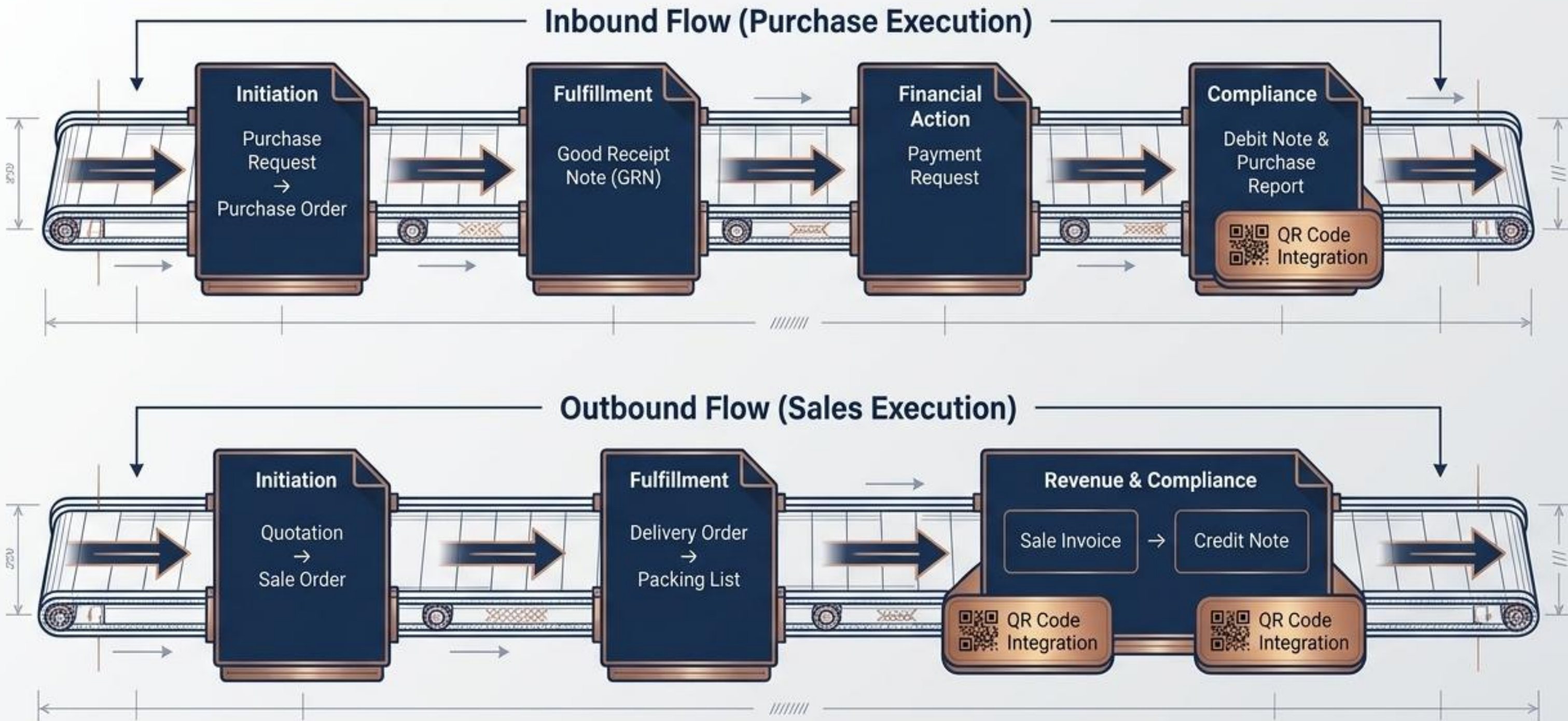
Pillar 2: External Trade Partnerships



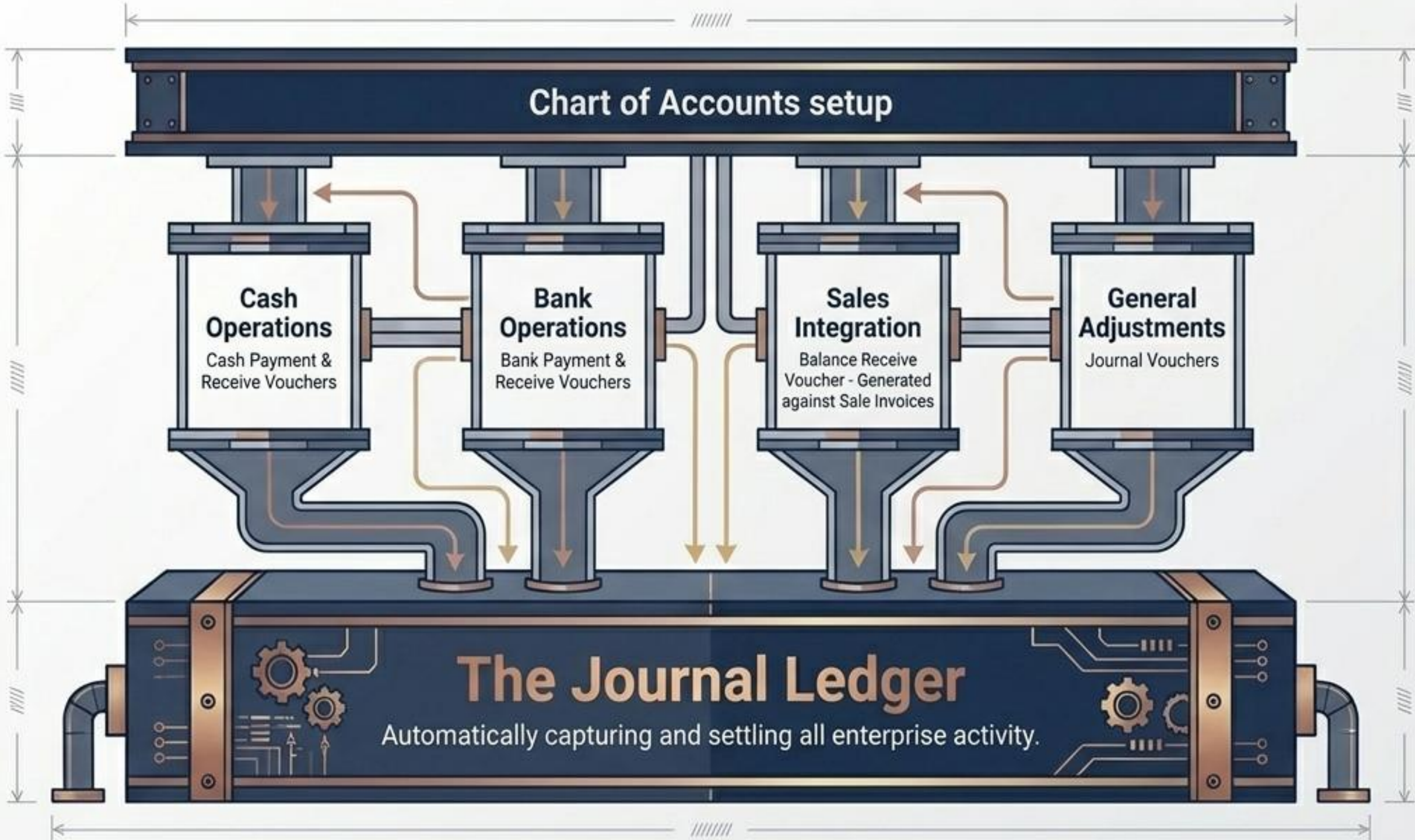
- Comprehensive lifecycle management (Add, Edit, Delete).
- Dedicated Customer Accounts & Custom Reports.
- Historical tracking of all Customer Sale records.

- Vendor lifecycle management (Add, Edit, Delete).
- Dedicated Supplier Accounts & Custom Reports.
- Complete visibility into Supplier Purchase and Purchase Returns records.

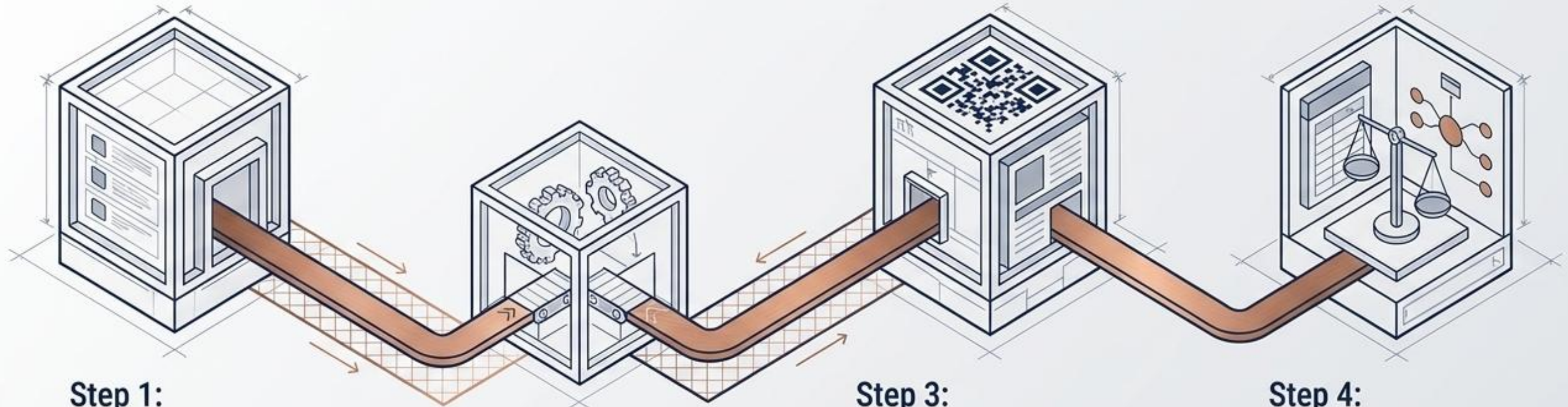
Pillar 3: The Commerce Engine



Pillar 4: Financial Truth and The Central Ledger



The Ecosystem in Motion: Cross-Modular Automation



Step 1: Trigger in Sales

A Sale Order is approved.

Step 2: Fulfillment Automation

System automatically generates the Delivery Order and Packing List.

Step 3: Compliance & Billing

A Sale Invoice with QR is instantly compiled from the fulfillment data.

Step 4: Financial Integration

The invoice automatically triggers a Balance Receive Voucher and updates the Journal Ledger in the Accounts module.

Insight: One data entry point. Zero manual duplication. Complete operational synchrony.

Delivery Timeline and Launch Phasing



- Complete delivery of the 7 core modules.
- Timeline adaptable based on specific work descriptions.

- Begins immediately post-implementation.
- Focused on stabilization, formatting, and training.

- Transition to tiered cloud or local usage structures.
- Sustained enterprise scale.

Scope of Partnership: The 1-Month Free Services

Included in Baseline

- ✓ Client Access for up to 5 Users.
- ✓ Cloud Access infrastructure.
- ✓ Standard built-in report changing (Specific to formatting within existing design).
- ✓ Errors and Bug Fixing.
- ✓ Corrections within the Database.
- ✓ Local Data Backup.

Excluded / Custom Scope

- ✗ Design and development of New Forms.
- ✗ Design and development of New Reports.
- ✗ Design and development of New Modules.
- ✗ Any additional work not explicitly quoted.
- ✗ Access to any application source code.

A Foundation Built for Scale

The SCube Custom ERP delivers a singular, unfragmented view of your enterprise. From the first purchase order to the final ledger entry, your operational data is secure, integrated, and ready to support continuous business growth.

